



## Ceiling Fan Installation Manual



93081647\_E

**P2548**

# Limited Lifetime Warranty

Progress Lighting fan motors are warranted to the original purchaser to be free of electrical and/or mechanical defects for so long as the original purchaser owns the fan. Pull chain switches, reverse switches, capacitors and metal finishes are warranted to be free from defects in materials or workmanship for a period of 1 year from the date of purchase. Warping of wooden or plastic blades is not covered by this warranty nor is corrosion and/or deterioration of any finishes for fans installed within ten miles of any sea coast. Extended warranties for ENERGY STAR® qualified products may apply.

Progress Lighting ceiling fans with built-in LED light sources, when properly installed and under normal conditions of use, are warranted to be free from defects in material and workmanship which cause the light sources to fail to operate in accordance with the specifications for (i) five (5) years from the date of purchase on the LED Light modules and electrical components for fans used in single family residences, and (ii) three (3) years from the date of purchase on the LED Light modules and electrical components for fans used in multi-family or commercial applications. LED bulbs supplied by Progress Lighting carry no warranty other than manufacturer's warranty. Non-LED bulbs carry no warranty.

With proof of purchase, the original purchaser may return the defective fan to the place of purchase during the first 30 days for replacement. After 30 days, the original purchaser MUST contact Progress Lighting at (864) 678-1000 for repair or replacement which shall be determined in Progress Lighting's sole discretion and shall be purchaser's sole and exclusive remedy.

Labor and Shipping Excluded. This warranty does not cover any costs or fees associated with the labor (including, but not limited to, electrician's fees) required to install, remove, or replace a fan or any fan parts.

This warranty shall not apply to any loss or damage resulting from (i) normal wear and tear or alteration, misuse, abuse or neglect, or (ii) improper installation, operation, repair or maintenance by original purchaser or a third party, including without limitation improper voltage supply or power surge, use of improper parts or accessories, unauthorized repair (made or attempted) or failure to provide maintenance to the fan.

THE FOREGOING WARRANTIES STATE PROGRESS LIGHTING'S ENTIRE WARRANTY OBLIGATION AND ORIGINAL PURCHASER'S SOLE AND EXCLUSIVE REMEDY RELATED TO SUCH PRODUCTS. PROGRESS LIGHTING IS NOT RESPONSIBLE FOR DAMAGES (INCLUDING INDIRECT, SPECIAL, INCIDENTAL OR CONSEQUENTIAL), DUE TO PRODUCT FAILURE, WHETHER ARISING OUT OF BREACH OF WARRANTY, BREACH OF CONTRACT, OR OTHERWISE. THIS WARRANTY IS GIVEN IN LIEU OF ALL OTHER WARRANTIES, WHETHER EXPRESSED OR IMPLIED, INCLUDING THOSE OF MERCHANTABILITY, FITNESS FOR A PARTICULAR PURPOSE OR NONINFRINGEMENT.

Some states do not allow limitations on how long an implied warranty lasts or the exclusion or limitations of incidental or consequential damages, so the above limitations and exclusions may not apply to you. This warranty gives you specific rights and you may have other rights which vary from state to state.

Date Purchased \_\_\_\_\_

Store Purchased \_\_\_\_\_

Model No. \_\_\_\_\_

Serial No. \_\_\_\_\_

Vendor No. \_\_\_\_\_ 109226

785247214792

785247214808

UPC  785247214815



Safety Rules.....	1.
Unpacking Your Fan .....	2.
Installing Your Fan .....	3.
Installing the Light Kit.....	8.
Operating Your Transmitter .....	9.
Care of Your Fan .....	10.
Troubleshooting .....	11.
Specifications .....	12.

## *Table of Contents*

1. To reduce the risk of electric shock, insure electricity has been turned off at the circuit breaker or fuse box before beginning.
2. All wiring must be in accordance with the National Electrical Code and local electrical codes. Electrical installation should be performed by a qualified licensed electrician.
3. **WARNING:** To reduce the risk of electrical shock and fire, do not use this fan with any solid-state fan speed control device.
4. **WARNING:** To reduce the risk of fire, electric shock, or personal injury, mount to outlet box marked "Acceptable for Fan Support of 15.9 kg (35 lbs.) Or Less" and use mounting screws provided with the outlet box. Most outlet boxes commonly used for the support of light fixtures are not acceptable for fan support and may need to be replaced. Due to the complexity of the installation of this fan, a qualified licensed electrician is strongly recommended.
9. To avoid personal injury or damage to the fan and other items, be cautious when working around or cleaning the fan.
10. Do not use water or detergents when cleaning the fan or fan blades. A dry dust cloth or lightly dampened cloth will be suitable for most cleaning.
11. After making electrical connections, spliced conductors should be turned upward and pushed carefully up into the outlet box. The wires should be spread apart with the grounded conductor and the equipment-grounding conductor on one side of the outlet box.
12. Electrical diagrams are for reference only. Light kits that are not packed with the fan must be UL Listed and marked suitable for use with the model fan you are installing. Switches must be UL General Use Switches. Refer to the Instructions packaged with the light kits

**WARNING**

TO REDUCE THE RISK OF FIRE, ELECTRIC SHOCK OR PERSONAL INJURY, MOUNT FAN TO OUTLET BOX MARKED ACCEPTABLE FOR FAN SUPPORT.

**WARNING**

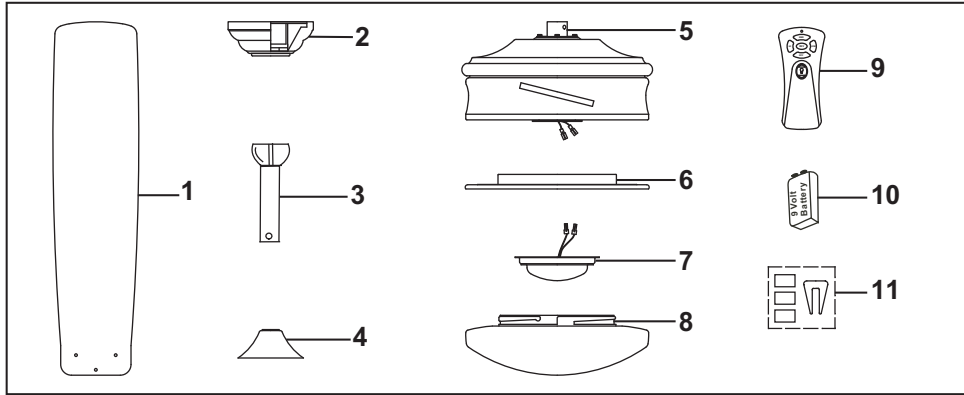
TO REDUCE THE RISK OF PERSONAL INJURY, DO NOT BEND THE BLADE ARMS (ALSO REFERRED TO AS BRACKETS) DURING ASSEMBLY OR AFTER INSTALLATION. DO NOT INSERT OBJECTS IN THE PATH OF THE BLADES.

5. The outlet box and support structure must be securely mounted and capable of reliably supporting a minimum of 35 lbs (15.9 kg) or less. Use only UL-listed outlet boxes marked **FOR FAN SUPPORT**.
6. The fan must be mounted with a minimum of 7 ft (2.1m) clearance from the trailing edge of the blades to the floor.
7. To operate the reverse function on this fan, press the reversing button while the fan is running.
8. Avoid placing objects in the path of the blades.

**NOTE**

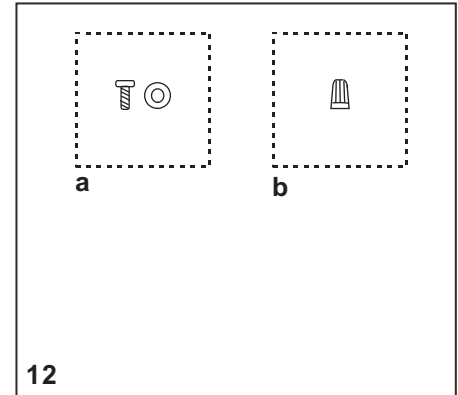
READ AND SAVE ALL INSTRUCTIONS!

# 1. Safety Rules



Unpack your fan and check the contents. You should have the following items:

- |                          |   |
|--------------------------|---|
| 1. Fan blades (5)        | 7. LED light kit                        |
| 2. Canopy assembly       | 8. Glass shade                          |
| 3. Ball/downrod assembly | 9. Transmitter+holder+2 mounting screws |
| 4. Coupling cover        | 10. 9 volt battery                      |
| 5. Fan motor assembly    | 11. Balancing kit                       |
| 6. Mounting plate        |   |



12

12. Loose parts bag containing:

- a. Blade attachment hardware**  
(16 screws, 16 fiber washers)
- b. Mounting hardware**  
Wire nuts (3)

*Unpacking Your Fan 2.*

## Tools Required

Phillips screw driver, straight slot screw driver, adjustable wrench, step ladder, and wire cutters.

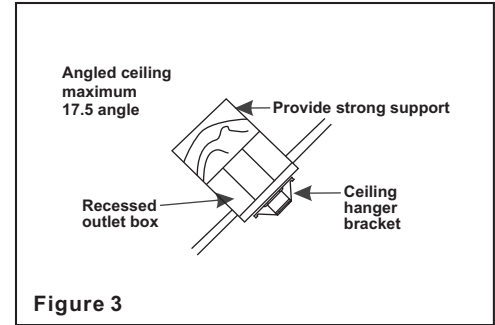
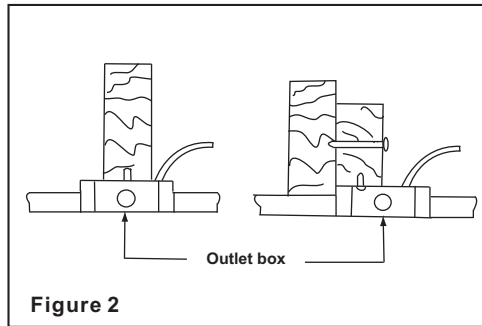
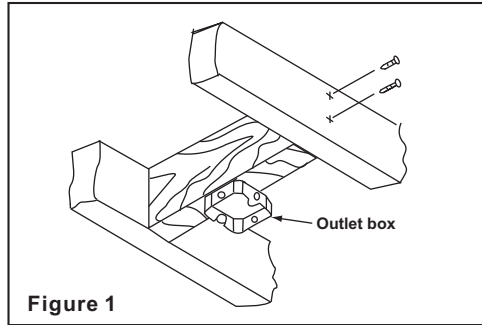
## Mounting Options

If there isn't an existing UL listed mounting box, then read the following instructions. Disconnect the power by removing fuses or turning off circuit breakers.

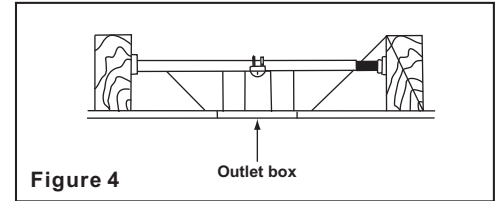
Secure the outlet box directly to the building structure. Use appropriate fasteners and building materials. The outlet box and its support must be able to fully support the moving weight of the fan (at least 35 lbs). Do not use plastic outlet boxes.

### WARNING

TO REDUCE THE RISK OF FIRE, ELECTRIC SHOCK, OR OTHER PERSONAL INJURY, MOUNT FAN ONLY TO AN OUTLET BOX MARKED ACCEPTABLE FOR FAN SUPPORT AND USE THE MOUNTING SCREWS PROVIDED WITH THE OUTLET BOX. OUTLET BOXES COMMONLY USED FOR THE SUPPORT OF LIGHTING FIXTURES MAY NOT BE ACCEPTABLE FOR FAN SUPPORT AND MAY NEED TO BE REPLACED. CONSULT A QUALIFIED ELECTRICIAN IF IN DOUBT.



**Note:** You may need a longer downrod to maintain proper blade clearance when installing on a steep, sloped ceiling.



To hang your fan where there is an existing fixture but no ceiling joist, you may need an installation hanger bar as shown in Figure 4 (available at your Progress Lighting Retailer).

# 3. Installing Your Fan

# Hanging the Fan

**REMEMBER** to turn off the power. Follow the steps below to hang your fan properly:

**Step 1.** Remove the decorative canopy bottom cover from the canopy by turning the cover counter clockwise.(Fig. 5)

**Step 2.** Remove the mounting bracket from the canopy by removing the 1 of 2 screws from the bottom of the mounting bracket and loosening the other one a half turn from the screw head. Next, turn the canopy counter clockwise to removing the mounting bracket from the canopy. (Fig. 5)

**Step 3.** Pass the 120-volt supply wires through the center hole in the ceiling hanger bracket as shown in Fig. 6.

**Step 4.** Secure the hanger bracket to the ceiling outlet box with the screws and washers provided with your outlet box.

**Step 5.** Remove the hanger pin, lock pin and set screws from the top of the motor assembly.

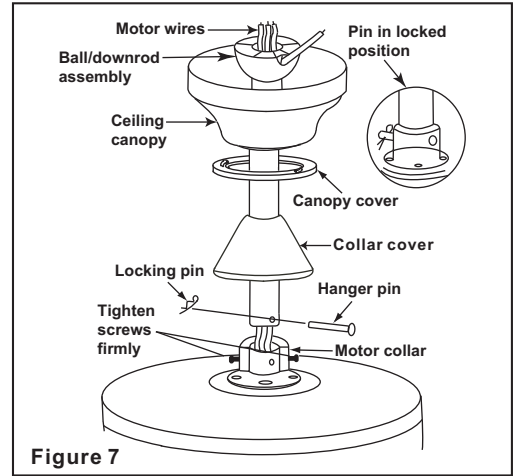
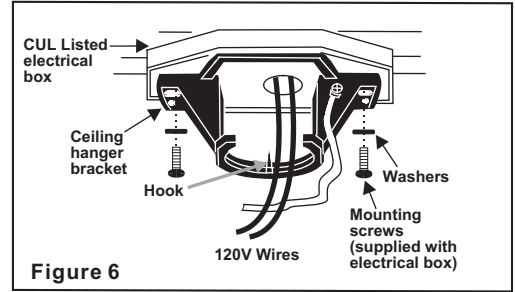
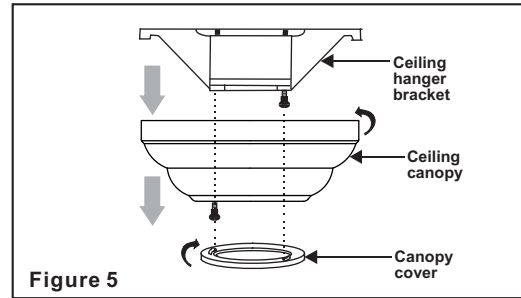
**Step 6.** Route wires exiting from the top of the fan motor through the collar cover, canopy cover, canopy and then through the ball / downrod. (Fig. 7)

**Step 7.** Align the holes at the bottom of the downrod with the holes in the collar on top of the motor housing (Fig. 7). Carefully insert the hanger pin through the holes in the collar and downrod. Be careful not to jam the pin against the wiring inside the downrod. Insert the locking pin through the hole near the end of the hanger pin until it snaps into its locked position, as noted in the circle inset of Fig. 7.

**WARNING**  
FAILURE TO PROPERLY INSTALL  
LOCKING PIN AS NOTED IN STEP 7  
COULD RESULT IN FAN LOOSENING AND  
POSSIBLY FALLING.

**Step 8.** Tighten two set screws on top of the fan motor firmly. (Figure 7)

**Step 9.** Place the downrod ball into the hanger bracket socket.



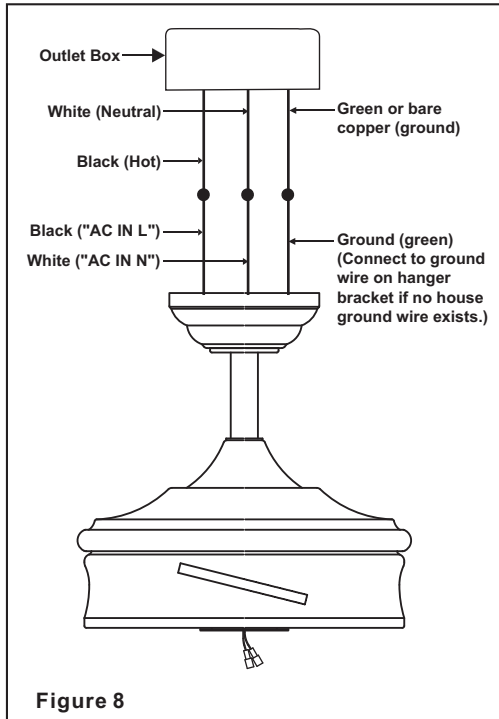
# Make the Electric Connections

**WARNING:** To avoid possible electrical shock, be sure electricity is turned off at the main fuse box before wiring.

**Step 1.** Motor to House Supply Wires Electrical Connections: Connect the WHITE wire (Neutral) from the outlet box to the WHITE wire marked "AC in N" from the motor. (Fig. 8)

**Step 2.** Connect the BLACK wire (Hot) from the outlet box to the BLACK wire marked "AC in L" from the motor. (Fig. 8)

Secure all wire connections with the plastic wire nuts provided.





## Finishing the Installation

**Step 1.** Tuck connections neatly into ceiling outlet box.

**Step 2.** Slide the canopy up to mounting bracket and place the key hole on the canopy over the screw on the mounting bracket, turn canopy until it locks in place at the narrow section of the key holes. (Fig. 9)

**Step 3.** Align the circular hole on canopy with the remaining hole on the mounting bracket, secure by tightening the two set screws. Note: Adjust the canopy screws as necessary until the canopy and canopy cover are snug.

### WARNING

Make sure the notch on the hanging bracket properly sits in the groove in the hanger ball before attaching the canopy to the bracket by turning the housing until it drops into place.

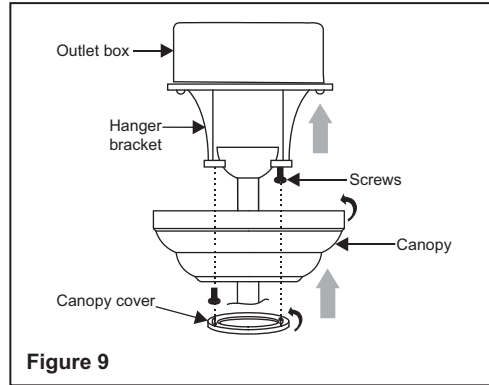


Figure 9

## Attaching the Fan Blades

Insert the blade through the slot in housing. Align holes in blade and motor and secure with 3 screws and fiber washers. Repeat process with the other blades. (Fig. 10)

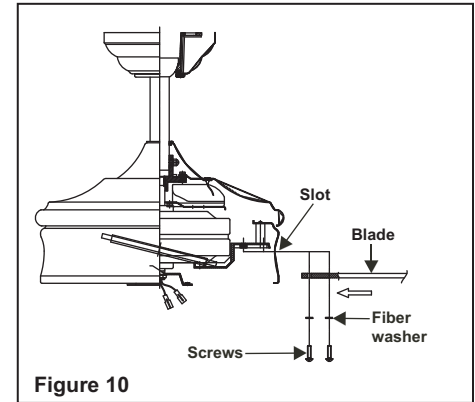


Figure 10

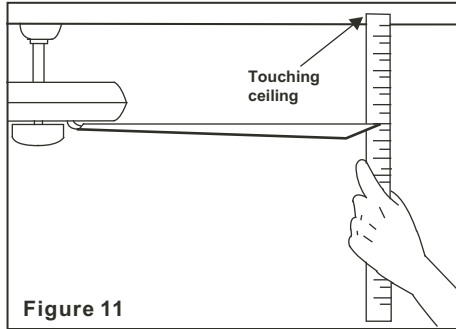
## Blade balancing

All blades are grouped by weight. Because natural woods vary in density, the fan may wobble even though the blades are weighed equally.

The following procedure should correct most fan wobbling problems. Check after each step.

1. Check that all blade and blade arm screws are secure.
2. Most fan wobbling problems are caused when blade levels are unequal. Check this level by selecting a point on the ceiling above the tip of one of the blades. Measure this distance as shown in Figure 11. Rotate the fan until the next blade is positioned for measurement. Repeat for each blade. The distance deviation should be equal within 1/8".
3. Use the enclosed Blade Balancing Kit if the blade wobble is still noticeable.
4. If the blade wobble is still noticeable, interchanging two adjacent (side by side) blades can redistribute the weight and possibly result in smoother operation.

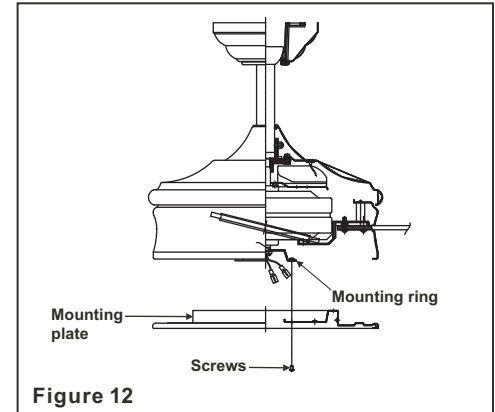
**WARNING**  
TO REDUCE THE RISK OF PERSONAL INJURY, DO NOT BEND THE BLADE HOLDERS WHILE INSTALLING, BALANCING THE BLADES, OR CLEANING THE FAN. DO NOT INSERT FOREIGN OBJECTS BETWEEN ROTATING FAN BLADES.



## Installing the Mounting Plate

**Step 1.** Remove 1 of the 3 screws from the mounting ring and loosen the other 2 screws. (Do not remove)

**Step 2.** Place the key holes on the mounting plate over the 2 screws previously loosened from the mounting ring, turn mounting plate until it locks in place at the narrow section of the key holes. Secure by tightening the 2 screws previously loosened and the one previously removed. (Fig. 12)



**CAUTION:** Before starting installation, disconnect the power by turning off the circuit breaker or removing the fuse at fuse box. Turning power off using the fan switch is not sufficient to prevent electric shock.

**Step 1.** Remove the 1 of 3 screws from the posts of the mounting plate and keep it for future use. Loosen the other 2 screws. (Do not remove) (Fig. 13)

**Step 2.** While holding the LED light kit under your fan, make the polarized plug connections:  
- Blue to white  
- Black to black

**Step 3.** Place the key holes in the LED light kit over the two screws previously loosened from the mounting plate. Turn the LED light kit until the LED light kit locks in place at the narrow section of the key holes. (Fig. 13)

**Step 4.** Securely tighten the two light kit mounting screws previously loosened and the one previously removed. (Fig. 13)

**Step 5.** Raise glass shade up against the LED light kit, and secure it to fan by turning glass clockwise until snug. DO NOT OVERTIGHTEN. (Fig. 13)

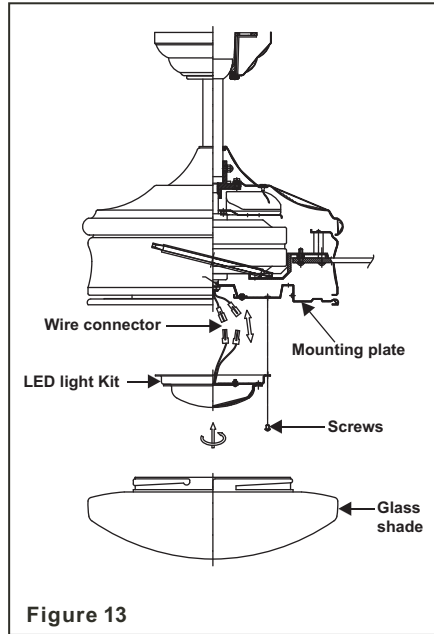


Figure 13

## Installing the battery

Install 9 volt battery (included), to prevent damage to transmitter, remove the battery if not used for long periods.

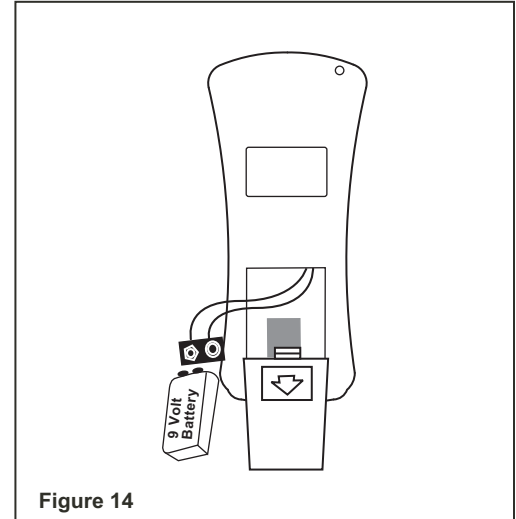


Figure 14

*Installing the Light Kit 8.*

## Automated Learning Process

**CAUTION:** The remote control transmitter can be programmed to multiple receivers or fans. If this is not desired, turn wall switch off to any other programmable receiver or fan.

This remote control transmitter is equipped with 16 code combinations to prevent possible interference from or to other remote units such as garage door openers, car alarms or security systems. If you find that your fan and light go on and off without using your remote control, simply change the combination code in your remote control transmitter. **To set the code, perform these steps:**

1. Remove battery cover from back side of transmitter.
2. Use a ballpoint pen or a small screwdriver to set the code switches 1 through 4 for the transmitter. **Note:** Since this fan comes with an LED module, the dimmer switch (labeled D and X) has been pre-set to the "ON" position (D). If you do not wish to have dimming capability, please move the switch to the "OFF" position (X). (Fig. 15)

3. Restore electrical power and then set slider switch on wall control to the ON position. Within 30 seconds of turning on the wall control, press and hold the "OFF" button on the front of the transmitter for 5 seconds or until light on fan blinks twice. (Fig. 15)

4. Test the fan and light functions to confirm the learning process is complete.

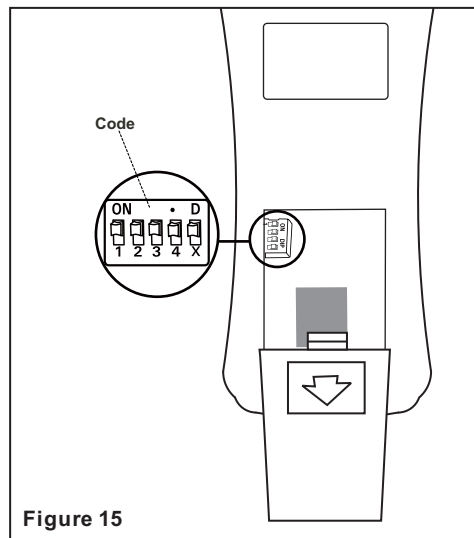


Figure 15

1. **HI, MED, and LOW** buttons:  
These three buttons are used to set the fan speed as follows:

**HI**= high speed

**Med**= medium speed

**Low**= low speed

2. **OFF** button:  
This button turns the fan off.

3. **Light** button:  
This button controls the light. Press and release the button to turn the light ON or OFF. Press and hold the button to set the desired brightness. The light key has an auto-resume, it will stay at the same brightness as the last time it was turned off.

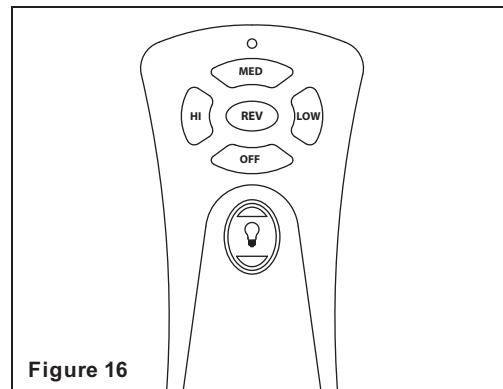


Figure 16

## 9. Operating Your Transmitter

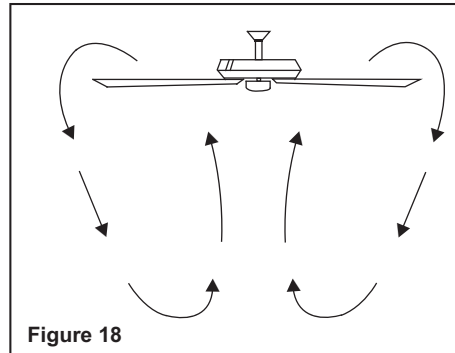
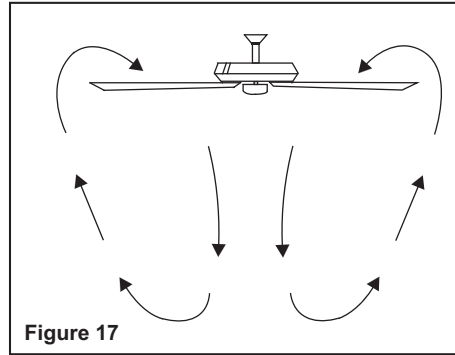
4. The "REV" button is used to set the fan forward or reverse, press the button forward (for warm weather) or reverse (for cool weather).

Speed settings for warm or cool weather depend on factors such as the room size, ceiling height, number of fans and so on.

**NOTE:** To operate the reverse function on this fan, press the reverse button while the fan is running.

Warm weather - (Forward) A downward air flow creates a cooling effect as shown in Figure 17. This allows you to set your air conditioner on a higher setting without affecting your comfort.

Cool weather - (Reverse) An upward airflow moves warm air off the ceiling area as shown in Figure 18. This allows you to set your heating unit on a lower setting without affecting your comfort.



Here are some suggestions to help you maintain your fan

1. Because of the fan's natural movement, some connections may become loose. **Check the support connections, brackets, and blade attachments twice a year.** Make sure they are secure. **(It is not necessary to remove fan from ceiling.)**

2. Clean your fan periodically to help maintain its new appearance over the years. Use only a soft brush or lint-free cloth to avoid scratching the finish. The plating is sealed with a lacquer to minimize discoloration or tarnishing. Do not use water when cleaning. This could damage the motor, or the wood, or possibly cause an electrical shock.

3. You can apply a light coat of furniture polish to the wood blades for additional protection and enhanced beauty. Cover small scratches with a light application of shoe polish.

4. **There is no need to oil your fan.** The motor has permanently lubricated bearings.

**IMPORTANT**  
MAKE SURE THE POWER IS OFF AT THE ELECTRICAL PANEL BOX BEFORE YOU ATTEMPT ANY REPAIRS. REFER TO THE SECTION "MAKING ELECTRICAL CONNECTIONS"

*Care of Your Fan 10.*

## Problem

## Solution

Fan will not start.

1. Check circuit fuses or breakers.
2. Check line wire connections to the fan and switch wire connections in the switch housing.  
**CAUTION:** Make sure main power is off.
3. Check to make sure the dip switches from the transmitter and receiver are set to the same frequency.

Fan sounds noisy.

1. Make sure all motor housing screws are snug.
2. Make sure the screws that attach the fan blade bracket to the motor hub is tight.
3. Make sure wire nut connections are not rubbing against each other or the interior wall of the switch housing.  
**CAUTION:** Make sure main power is off.
4. Allow a 24-hour "breaking-in" period. Most noise associated with a new fan disappear during this time.
5. If using an optional light kit, make sure the screws securing the glassware are tight. Check that light bulb is also secure.
6. Some fan motors are sensitive to signals from solid-state variable speed controls. If you have installed this type of control, choose and install another type of control.
7. Make sure the upper canopy is a short distance from the ceiling. It should not touch the ceiling.

Remote control malfunction

1. Check battery power in the remote control.
2. Do not connect the fan with wall mounted variable speed control (s).
3. Check to be sure code switches are set properly in remote control transmitter and wall control, and the learning process are complete.

# *11. Troubleshooting*

Fan Size	Speed	Volts	Amps	Watts	RPM	CFM	N.W.	G.W.	C.F.
60"	Low	120	0.28	15	44	2116	28.16 lbs	31.35 lbs	2.62'
	High	120	0.66	79	114	5717			

These are approximate measures. They do not include Amps and Wattage used by the light kit.

This device complies with part 15 of the FCC Rules. Operation is subject to the following two conditions: (1) This device may not cause harmful interference, and (2) this device must accept any interference received, including interference that may cause undesired operation.

**Warning:** Changes or modifications to this unit not expressly approved by the party responsible for compliance could void the user's authority to operate the equipment.

**NOTE:** This equipment has been tested and found to comply with the limits for a Class B digital device, pursuant to Part 15 of the FCC Rules. These limits are designed to provide reasonable protection against harmful interference in a residential installation. This equipment generates, uses and can radiate radio frequency energy and, if not installed and used in accordance with the instructions, may cause harmful interference to radio communications.

However, there is no guarantee that interference will not occur in a particular installation. If this equipment does cause harmful interference to radio or television reception, which can be determined by turning the equipment off and on, the user is encouraged to try to correct the interference by one or more of the following measures:

- Reorient or relocate the receiving antenna.
- Increase the separation between the equipment and receiver.
- Connect the equipment into an outlet on a circuit different from that to which the receiver is connected.
- Consult the dealer or an experienced radio/TV technician for help.

©2019 Progress Lighting, Inc.  
701 Millennium Blvd.,  
Greenville, SC 29607  
All Rights Reserved

*Specifications 12.*

**PROGRESS**  
LIGHTING™

**AirPro®**

## Manual de Instalación del Ventilador de Techo



93081647\_E

**P2548**



# Garantía limitada de por vida

Se garantiza al comprador original que los motores de los ventiladores de Progress Lighting no presentan defectos mecánicos o eléctricos por el tiempo durante el cual el comprador original sea dueño del ventilador. Los interruptores de cadena, interruptores de reversa, capacitadores y acabados de metal tienen garantía por 1 año. La deformación de las aspas de plástico o madera no está cubierta por esta garantía.

Con comprobante de compra, el comprador podrá devolver el ventilador defectuoso al lugar de compra, durante los primeros 30 días, para su reemplazo. Pasados los 30 días, el comprador DEBE contactarse con Progress Lighting para la reparación o el reemplazo, que se determinará a criterio exclusivo de Progress Lighting y será la compensación única y exclusiva del comprador.

Se excluye la mano de obra y el envío. Esta garantía no cubre los costos o cargos asociados con la mano de obra (incluidos, entre otros, los honorarios del electricista) necesaria para instalar, quitar o reemplazar el ventilador o cualquiera de sus partes.

LA COMPENSACIÓN ÚNICA Y EXCLUSIVA DEL COMPRADOR ORIGINAL POR UN RECLAMO DE CUALQUIER TIPO CON RESPECTO A ESTE PRODUCTO SERÁ LA QUE SE INDICA EN EL PRESENTE. PROGRESS LIGHTING NO ASUME RESPONSABILIDAD POR DAÑOS (INCLUIDOS INDIRECTOS, ESPECIALES, INCIDENTALES O EMERGENTES), DEBIDO A FALLAS DEL PRODUCTO, YA SEA QUE SURJAN DEL INCUMPLIMIENTO DE LA GARANTÍA, DEL INCUMPLIMIENTO CONTRACTUAL O DE OTRO MODO. LA PRESENTE GARANTÍA SE OTORGA EN LUGAR DE TODAS LAS OTRAS GARANTÍAS, EXPRESAS O IMPLÍCITAS, INCLUIDAS LAS DE COMERCIALIZACIÓN E IDONEIDAD PARA UN FIN PARTICULAR, O CONTRA INFRACCIÓN, Y QUEDA NULA EN CASO DE ABUSO, USO INDEBIDO O MANEJO INCORRECTO, NEGLIGENCIA, DAÑO DURANTE EL ENVÍO, REPARACIONES NO AUTORIZADAS (REALIZADAS O QUE SE INTENTÓ REALIZAR) O APLICACIÓN INUSUAL.

Algunos estados no permiten limitaciones sobre la duración de una garantía implícita o la exclusión de limitaciones de daños incidentales o emergentes, de modo que las limitaciones y exclusiones anteriores tal vez no se apliquen a su caso. La presente garantía le otorga derechos específicos y es posible que usted tenga otros derechos que varían según el estado.



Fecha de compra \_\_\_\_\_

Lugar de compra \_\_\_\_\_

N de modelo. \_\_\_\_\_

N de serie \_\_\_\_\_

Numero de vendedor \_\_\_\_\_ 109226

UPC \_\_\_\_\_  
 785247214792  
 785247214808  
 785247214815

Normas de seguridad .....	1.
Cómo desembalar el ventilador .....	2.
Cómo instalar el ventilador .....	3.
Instalación del kit de luz .....	8.
Operando su transmisor .....	9.
Cómo cuidar del ventilador .....	10.
Resolución de problemas .....	11.
Especificaciones .....	12.

## *Tabla de Contenido*

1. Para reducir el riesgo de electrocución, asegurarse de que la electricidad se ha desactivado en el cortacircuitos o caja de fusibles antes de comenzar.
2. Todo cableado debe relizarse conforme al Código Electrico Nacional y los códigos electricos locales. La instalación eléctrica debe ser relajada por un electricista registrado calificado.
3. **ADVERTENCIA:** Para reducir el riesgo de una electrocuion e incendio, no usar este ventilador con ningun dispositivo de esto s lido para control de la velocidad del ventilador.
4. **ADVERTENCIA:** para reducir el riesgo de incendio, descarga eléctrica o lesión personal, monte a una caja distribución marcada como "Aceptable para soporte de un ventilador de 15.9kg (35 lbs.) de peso o menos" y monte con los tornillos proporcionados con la caja de distribución. La mayoría de las cajas de conexión utilizadas para soportar artefactos de iluminación, no son aptas para colgar un ventilador y podría ser necesario cambiarlas. Debido a la complejidad de la instalación de este ventilador, se recomienda encarecidamente que la realice un electricista licenciado cualificado.
9. Para evitar lesiones personales o da os al ventilador y otros articulos, tener cuidado al trabajar cerca del ventilador o al limpiarlo.
10. No usar agua o detergentes al limpiar el ventilador o las aspas del ventilador. Para la mayoría de los prósitos de limpieza, un paño seco o ligeramente humedecido será apropiado.
11. Despues de realizar las conexiones eléctricas, los conductores empalmados se deben voltear hacia arriba y se deben empujar con cuidado hacia dentro de la caja de distribución. Los cables deben estar separados, con el conductor a tierra y el conductor a tierra del equipo en un lado de la caja de distribución.
12. Los diagramas eléctricos son para referencia únicamente. Los juegos de iluminación que no estén embalados con el ventilador deben estar Listados por U.L. y marcados como apropiados para ser usados con el modelo de ventilador que se está instalando. Los interruptores deberán ser Interruptores para uso general U.L. Réfierase a las instrucciones embaladas con los juegos de iluminación e interruptores para obtener información sobre el montaje adecuado.

**ADVERTENCIA**

PARA REDUCIR EL RIESGO DE INCENDIO ELECTROCUCIÓN O LESIONES PERSONALES. MONTAR EL VENTILADOR EN UNA CAJA DE DISTRIBUCIÓN MARCADA COMO ACEPTABLE PARA SOPORTE DE VENTILADORES.

5. La caja de distribución y la estructura de soporte deben estar montados de manera segura y deben ser capaces de soportar, de manera confiable, un mínimo de 35 libras (15,9 kilogramos). Usar solamente cajas de distribución listadas por UL. marcadas "**PARA SOPORTE DE VENTILADORES**".
6. EL ventilador debe estar montado con un m nimo de 7 pies (2.1m) de espacio libre desde el borde posterior de las aspas hasta el piso.
7. Invierta el ventilador con el motor encendido a cualquier velocidad.
8. Evitar colocar objetos qen interfiera el giro de las aspas.

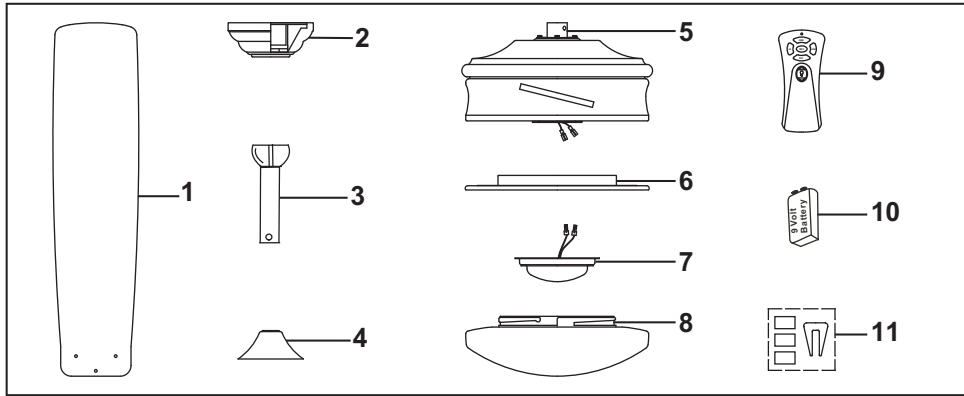
**ADVERTENCIA**

PARA REDUCIR EL RIESGO DE LESIONES PERSONALES, NO DOBLAR LOS SOPORTES DE LAS ASPAS (TAMBIEN LLAMADOS "REBORDES" DURANTE EL MONTAJE O DESPUES DE LA INSTALACIÓN NO INSERTAR OBJETOS EN LA TRAYECTORIA DE LAS ASPAS.

**NOTA**

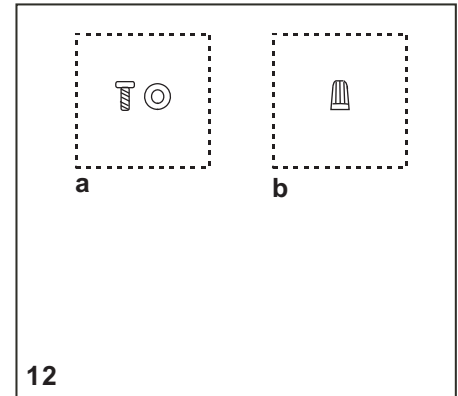
!LEER Y GUARDAR TODAS LAS INSTRUCCIONES!

# *1. Normas de seguridad*



Desembalar el ventilador y revisar el contenido. Debe tener los siguientes elementos:

- |  |  |
|--|--|
| 1. Juego de aspas (5)                  | 7. Kit de luces LED                              |
| 2. Escudete superior                   | 8. Pantalla de vidrio                            |
| 3. Conjunto de bola/tubo de suspensión | 9. Transmisor + soporte + 2 tornillos de montaje |
| 4. Cubridor del motor                  | 10. 9 volt batería                               |
| 5. Conjunto de motor del ventilador    | 11. Juego de balanceo                            |
| 6. Plato de montaje                    |  |



12

12. Dos bolsas de piezas pequeñas:

- a. Piezas de fijación de las aspas**  
(16 Tornillos, 16 Arandelas de fibra )
- b. Piezas demontaje**  
(3 conectores plásticos para cables eléctricos).

*Cómo desembalar el ventilador 2.*

## Herramienta necesarias

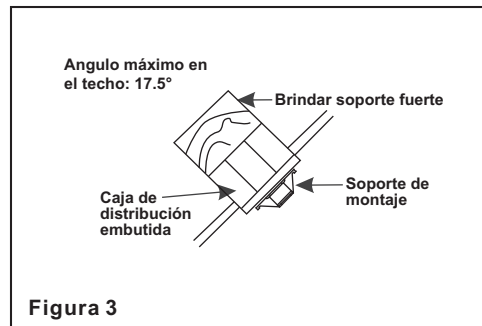
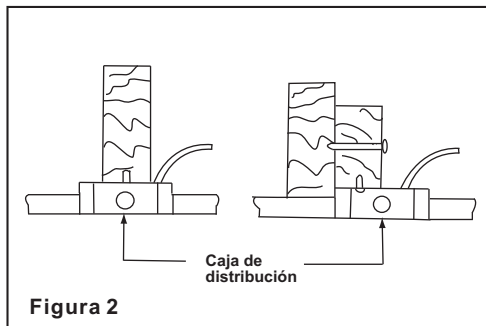
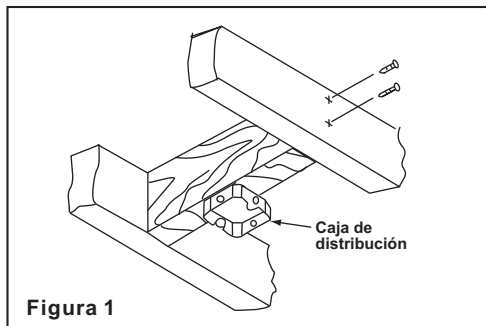
Destornillador Phillips, destornillador normal, llave de tuercas ajustable, escalera de tijera, y cortadoras de alambre.

## Opciones de instalación

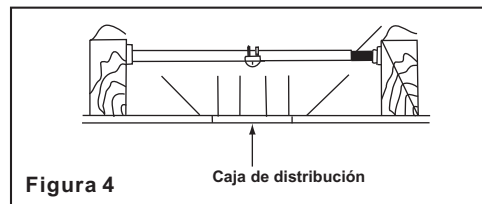
Si no hay una caja con UL registración de montaje existente, sírvase leer las siguientes instrucciones. Desconectar el suministro de electricidad removiendo los fusibles o desactivando los cortacircuitos.

Asegurar la caja de distribución directamente a la estructura del edificio. Usar los sujetadores y materiales de construcción apropiados. La caja de distribución y su soporte deben ser capaces de soportar completamente el peso en movimiento del ventilador (al menos 35 libras o 15.9 kgs.) No usar cajas de distribución plásticas.

**ADVERTENCIA**  
PARA REDUCIR EL RIESGO DE INCENDIO, ELECTROCUCIÓN O DAÑO PERSONAL, INSTALAR EL VENTILADOR A UNA CAJA DE DISTRIBUCIÓN MARCADA "ACEPTADA PARA SOPORTAR VENTILADOR" Y USAR LOS TORNILLOS DE MONTAJE SUMINISTRADOS CON LA CAJA DE DISTRIBUCIÓN



**Nota:** Ud. Puede necesitar una barra de extensión para mantener la distancia apropiada de las aspas cuando la instalación se efectúe en un techo inclinado.



Para colgar su ventilador donde ya existe una instalación pero no una viga de techo, es posible que se necesite una instalación de barra de suspensión como se muestra la Figura 4 (disponible en su distribuidor Progress Lighting).

# 3. Cómo instalar el ventilador

## Colocación del ventilador

**RECUERDE** desconectar la alimentación. Siga estos pasos para colocar correctamente el ventilador:

**Paso 1.** Retire la tapa embellecedora del fondo del cobertor girando la tapa en sentido de las agujas del reloj. (Fig. 5)

**Paso 2.** Quite el soporte de montaje de la cubierta quitando 1 de los 2 tornillos de la parte inferior del soporte de montaje y aflojando el otro media vuelta desde la cabeza del tornillo. A continuación, gire la soporte de montaje en sentido contrahorario para quitar la cubierta. (Fig. 5)

**Paso 3.** Pase los hilos de 120 voltios a través del agujero central del soporte de suspensión del techo tal y cómo se muestra en la. (Fig. 6)

**Paso 4.** Fije el soporte de montaje a la caja del techo con los tornillos y arandelas suministradas en la caja.

**Paso 5.** Retire el pasador de suspensión, el pasador de bloqueo y el conjunto de tornillos y de la parte superior del ensamblaje del motor.

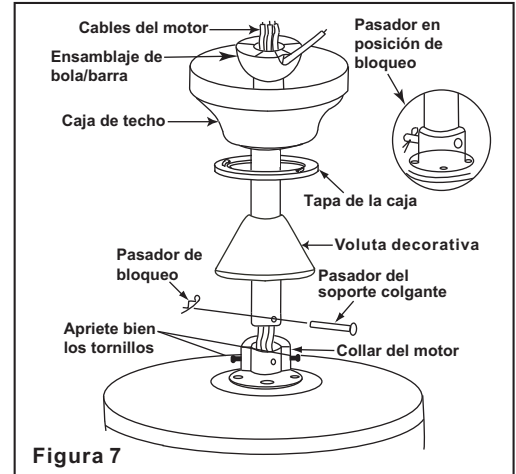
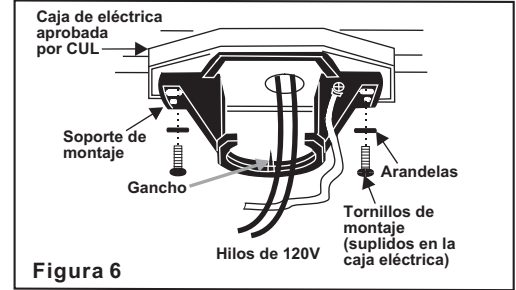
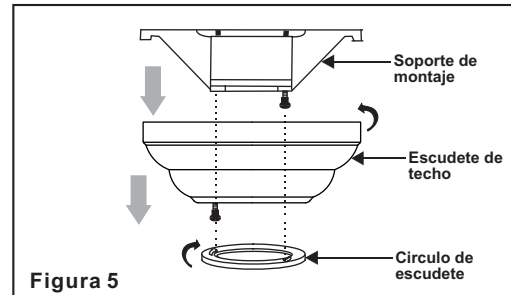
**Paso 6.** Guíe los cables que salen de la parte superior del motor del ventilador a través de la voluta decorativa, tapa de la cubierta, cubierta y luego a través de la bola/varilla. (Fig. 7)

**Paso 7.** Alinee los agujeros de la parte inferior de la barra con los agujeros del cuello en la parte superior de la caja del motor (Fig. 7) Introduzca con cuidado el pasador de suspensión a través de los agujeros del cuello y de la barra. Tenga cuidado de que el pasador no se atasque con los hilos de dentro de la barra. Introduzca el pasador de bloqueo a través del agujero cercano al extremo del pasador de suspensión hasta que quede en la posición de bloqueo, tal y cómo se especifica en el círculo de la Fig. 7.

**ADVERTENCIA**  
SI NO INSTALA EL PASADOR  
CORRECTAMENTE TAL Y CÓMO SE  
ESPECIFICA EN EL PASO 7, EL  
VENTILADOR PODRÍA AFLOJARSE E  
INCLUSO CAER.

**Paso 8.** Apriete bien los dos tornillos de la parte superior del motor. (Fig. 7)

**Paso 9.** Coloque la bola de la barra en la ranura del soporte de suspensión.



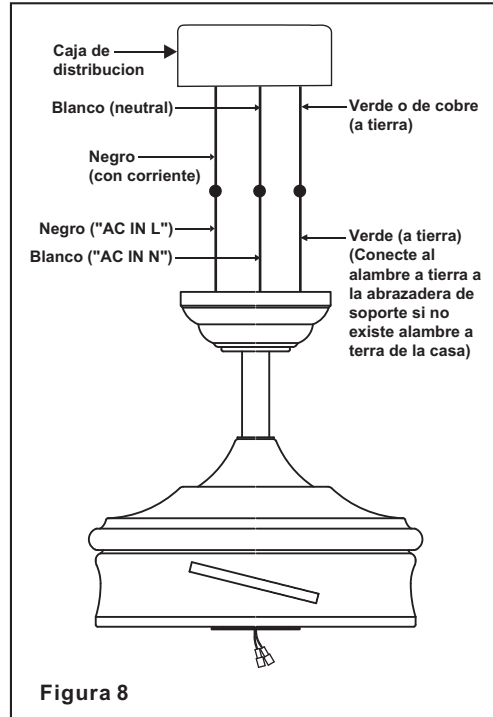
# Realizar las Conexiones Eléctricas

**ADVERTENCIA:** Para evitar la posibilidad de un choque eléctrico, asegúrese de apagar la corriente eléctrica desde el circuito central.

**Paso 1.** Haga las conexiones de la caja de distribución a el Receptor de la manera siguiente; Conecte el Alambre blanco (neutral) de la caja de distribución al alambre blanco marcado "AC in N" del receptor. (Fig. 8)

**Paso 2.** Conecte el Alambre Negro (corriente) de la caja de distribución al alambre Negro marcado "AC in L" del Receptor. (Fig. 8)

Asegure las conexiones con los conectores de plástico proveidos.

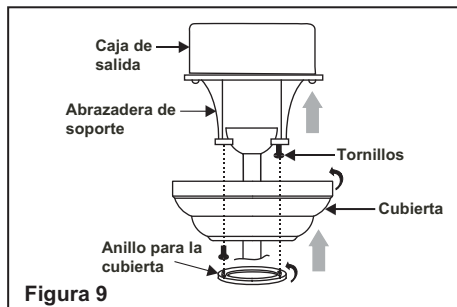


## Terminando la Instalación

**Paso 1.** Meta las conexiones en forma ordenada adentro de la toma de corriente.

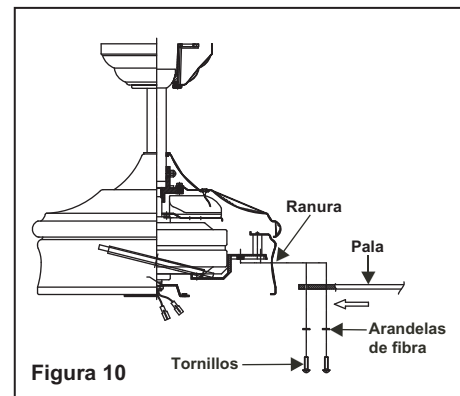
**Paso 2.** Deslice la cubierta hacia arriba hacia el soporte de montaje y coloque el agujero de posición de la cubierta sobre el tornillo del soporte de montaje, gire la cubierta hasta que quede encajada en su lugar en la sección estrecha de los agujeros de posición. (Fig. 9)

**Paso 3.** Alinee el agujero circular de la cubierta con el agujero restante en el soporte de montaje, fíjelo apretando los dos juegos de tornillos. Nota: Ajuste los tornillos de la cubierta hasta que la cubierta y la tapa de la cubierta queden ajustadas.



## Instalacion de las Aspas

Meta la aspa por la ranura del ensamblaje del motor, alinee los agujeros de la aspa y el motor y asegure la aspa con tres tornillos proveídos. Repita el proceso con las otras aspas. (Fig. 10)



**ADVERTENCIA**  
ASEGURARSE DE QUE LA LENGUETA LOCALIZADA EN LA PARTE INFERIOR DEL SOPORTE DE SUSPENSIÓN ESTÉ ASENTADA CORRECTAMENTE EN LA RANURA DE BOLA DE SUSPENSIÓN ANTES DE FIJAR EL ESCUDETE AL SOPORTE. EL NO AJUSTAR CORRECTAMENTE LA LENGUETA EN LA RANURA PODRÍA CAUSAR DAÑO AL CABLEADO ELÉCTRICO.



## Balaneo de las Aspas

Todas las aspas están agrupadas por peso. Debido a que la desidad de las maderas naturales varía, el ventilador podría oscilar aún cuando el peso de las aspas esté equilibrado.

El siguiente proceimiento deberia mayor parte de la oscilación del ventilador. Corregir la Verificar después de cada paso.

1. Verificar que todos los tornillos de aspas y de soportes de aspas estén seguros.
2. La mayoría de los problemas de oscilación se originan cuando los niveles de las aspas son desiguales. Revisar esté nivel por medio de seleccionar un punto del techo por encima de la punta de una de las aspas. Medir esta distancia como se muestra en la Figura 11. Rotar el ventilador hasta que la siguiente aspa esté ubicada para medición. procedimiento para cada aspa. Las medi repetir el das hacer fucional deben mantenerse dentro de 1/8 pulgadas (3mm).
3. Usar el juego de balaneo de aspas incluido si aún se puede notar la oscilación.
4. Si la oscilación de las aspas todavía se puede notar, el intercambio de dos aspas adyacentes (lado a lado) puede redistribuir el peso y es posible que resulte en un funcionamiento más uniforme.

**ADVERTENCIA**  
PARA REDUIR RIESGO DE LESIONES PERSONALES. NO DOBLAR LOS SUJETADORES DE ASPAS MIENTRAS SE REALIZA LA INSTALACIÓN. EL BALANCEO DE LAS ASPAS O SU LIMPIEZA. NO INSERTAR OBJETOS EXTRANOS ENTRE LAS ASPAS DEL VENTILADOR EN ROTACIÓN.

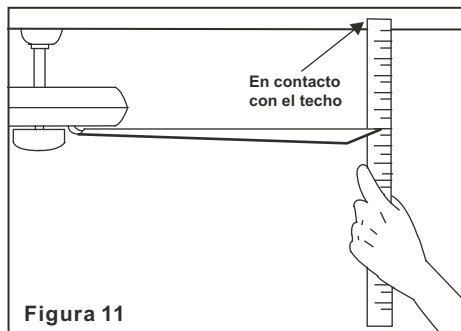


Figura 11

## Instalación de la Placa de Montaje

**Paso 1.** Quite 1 de los 3 tornillos del anillo de montaje y afloje los otros 2 tornillos. (No los quite)

**Paso 2.** Coloque los agujeros del plato de montaje en los 2 tornillos previamente aflojados del anillo de montaje, gire el plato de montaje hasta que quede fijo en su lugar en la parte estrecha de los agujeros. Asegúrela apretando los 2 tornillos aflojados y también el que quitó anteriormente. (Fig. 12)

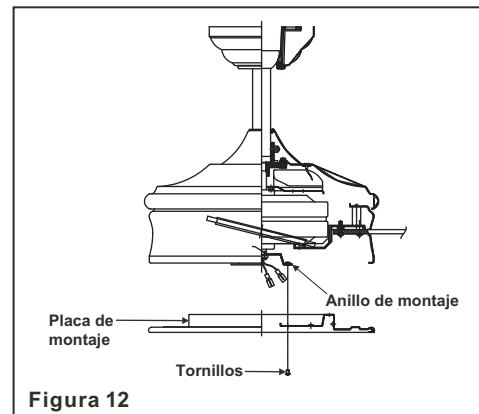


Figura 12

**PRECAUCIÓN:** Antes de comenzar con la instalación, desconecte la alimentación apagando el circuito del automático o quitando el fusible de la caja de fusibles. Para evitar descargas eléctricas, no basta con apagar la alimentación utilizando el interruptor del ventilador.

**Paso 1.** Quite 1 de los 3 tornillos de los postes de la placa de montaje y afloje los otros 2 tornillos. (No los quite) (Fig. 13)

**Paso 2.** Mientras sostiene el juego de lámparas LED debajo del ventilador, realice las conexiones del enchufe polarizadas:

- Azul con blanco
- Negro con Negro

**Paso 3.** Coloca los orificios tipo ojo de cerradura en el kit de luces LED sobre los 2 tornillos de montaje del kit de luces previamente aflojados de la placa de montaje, gira la kit de luces LED hasta que caiga en su lugar en la parte estrecha de los orificios tipo ojo de cerradura. (Fig. 13)

**Paso 4.** Asegúrala apretando los 2 tornillos de montaje del kit de luces previamente aflojados y el que se quitó previamente. (Fig. 13)

**Paso 5.** Instale la pantallas de vidrio asegúrelo al kit de luces LED, y asegurar la pantallas de vidrio a el ventilador girandolo en direccion de la pantallas de vidrio manecillas del reloj. No lo sobre apriete. (Fig. 13)

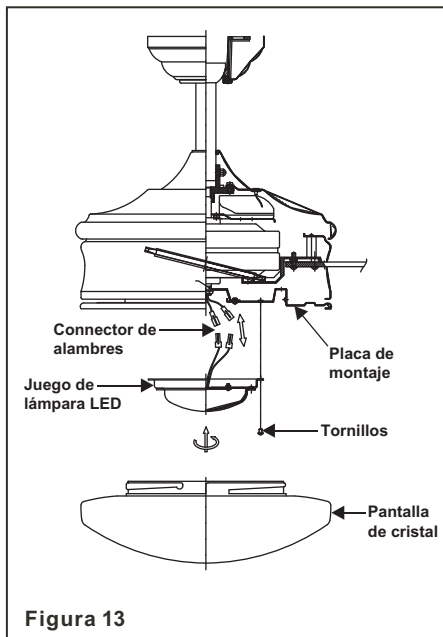


Figura 13

## Instalación de la Bateria

Coloque 9 volt batería (incluida). Para evitar estropeos del transmisor, exteiga la batería cuando esté no se usa por periodo relativamente largo.

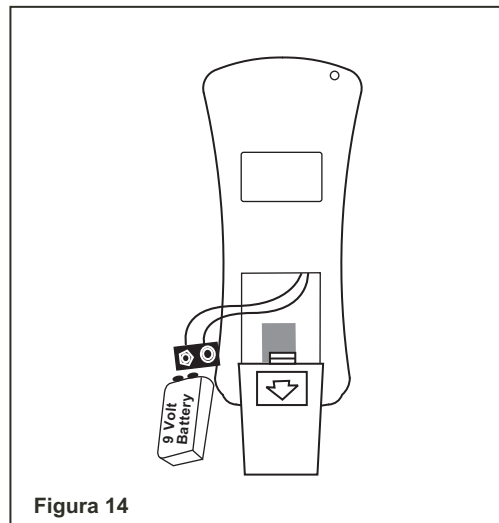


Figura 14

*Instalación del Kit de Luz 8.*

## Proceso Automatizado de Memorización

**PRECAUCIÓN:** Si se instalan varios ventiladores con mandos a distancia separados, sólo el ventilador que se está programando debe tener la alimentación de CA encendida. El resto de ventiladores, incluso si ya han sido programados, deben tener la alimentación de CA apagada para que no memoricen otros mandos durante el proceso de reconocimiento.

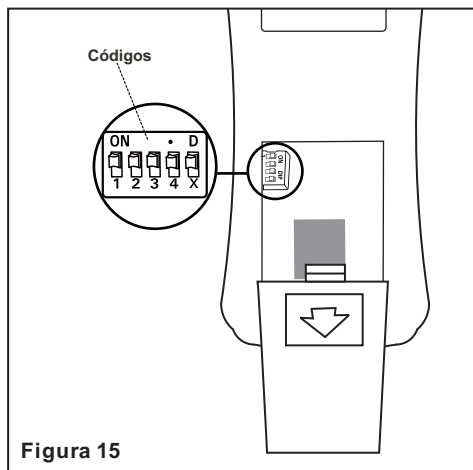
El Control Remoto o el Transmisor proveidos con su ventilador están equipados con 16 combinaciones de frecuencias diferentes para prevenir posible interferencia con otras unidades similares. Si encuentra que su ventilador y su luz se encienden y se apagan sin utilizar el mando a distancia, simplemente cambie el código de combinación en su transmisor de control remoto. **Para establecer el código, realice estos pasos:**

1. Quita la cubierta de la batería presionando con firmeza en la flecha y deslizando la cubierta hasta soltarla.
2. Utilice un bolígrafo o un destornillador pequeño para ajustar los interruptores de código 1 a 4 para el transmisor. **NOTA:** Dado que este ventilador viene con un módulo LED, el

interruptor del atenuador ha sido preajustado a la posición "ON"(D). Si no desea tener función regulable, mueva el interruptor a la posición "OFF"(X). (Figura 15)

3. Dentro de los 30 segundos siguientes al encendido de la alimentación de CA, mantenga presionado "OFF" durante 5 segundos o hasta que la luz del ventilador parpadee dos veces para activar la función de reconocimiento. (Figura 15)

4. Pruebe las funciones de ventilador y luz para proceso de aprendizaje está completo.



1. Los botones **HI**, **MED**, **LOW**: Estos tres botones son usados para seleccionar las velocidades del ventilador de la manera siguiente:

**HI**= Velocidad Alta

**Med**= Velocidad Mediana

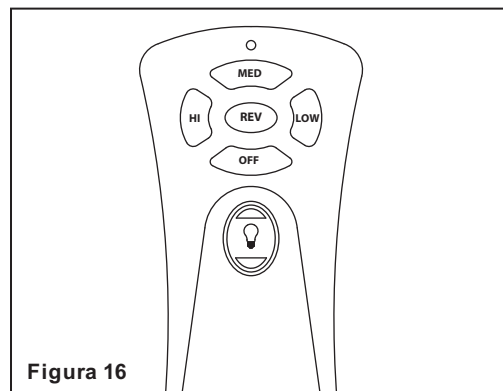
**Low**= Velocidad Baja

2. Boton "**OFF**":

Esté boton apaga el ventilador.

3. Boton "  ":

es para prender y apagar la luz, también se usa para controlar la intensidad de la luz. Apriete y sostenga el boton hasta obtener la intensidad de luz deseada. La luz cambiara continuamente entre intensidad y oscuridad mientras que el boton esté presionado. El boton de la luz está equipado para resumir con la misma intensidad de luz que se uso la última vez.



## 9. Operando su transmisor

#### 4. Botón "REV ":

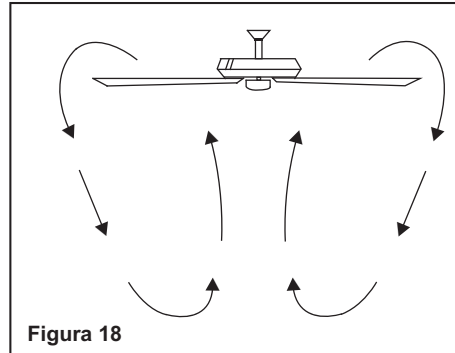
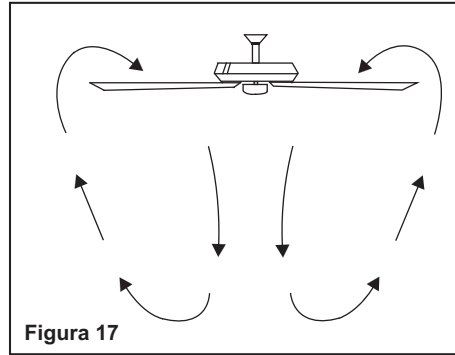
Esté botón selecciona la dirección en que giran las aspas.

Los ajustes de velocidad para clima caliente o frío dependen de factores como el tamaño del cuarto, la altura del techo, cantidad de ventiladores, etc.

**NOTA:** Para activar el funcionamiento inverso de este ventilador, pulse el botón reverse (invertir) mientras está en marcha.

Clima cálido - (Hacia adelante) Un movimiento descendente de aire crea un efecto de enfriamiento como se muestra en la Figura 17. Esto permite fijar el aire acondicionado en un valor más alto sin afectar la comodidad del usuario.

Clima frío - (Retroceso) Un flujo de aire ascendente mueve el aire caliente alejándolo del área del techo como se muestra en la Figura 18. Esto permite fijar la unidad de calefacción en un valor más bajo sin afectar la comodidad usuario.



He aquí algunas sugerencias para ayudarle el mantenimiento del ventilador.

1. Debido al movimiento natural del ventilador, algunas conexiones se podrían aflojar. Examinar las conexiones del soporte, soportes, y accesorios de las aspas dos veces al año. Asegurarse de que estén seguros. (No es necesario retirar el ventilador del techo).

2. Limpiar el ventilador periódicamente para ayudar a mantener su apariencia de nuevo con el transcurso del tiempo. Usar solamente un cepillo suave o paño sin hilas para evitar rayar el acabado. El recubrimiento metálico se sella con una laca para minimizar la decoloración o manchado. No usar agua al limpiarlo. Madera, o posiblemente causar choque eléctrico.

3. Se puede aplicar una capa ligera de pulidor para muebles a las aspas de madera para brindar protección adicional y realzar su belleza. Cubrir los rayones pequeños con una ligera aplicación de betún para calzado.

4. No hay necesidad de aceitar el ventilador. El motor tiene cojinetes permanentemente lubricados.

**ADVERTENCIA**  
ASEGURARSE DE QUE LA ELECTRICIDAD ESTÉ DESACTIVADA EN EL TABLERO DE DISTRIBUCIÓN ELÉCTRICA ANTES DE INTENTAR CUALQUIER REPARACIÓN REFERIRSE A LA SECCIÓN "CÓMO EFECTUAR CONEXIONES ELÉCTRICAS"

## *Cómo cuidar del ventilador 10.*

## Problema

## Solución

El ventilador no arranca.

1. Revisar los fusibles o interruptores de circuitos.
2. Verificar las conexiones de cables de línea al ventilador y conexiones de cable del interruptor.  
**PRECAUCIÓN:** Asegurarse de que la fuente principal de electricidad esté desactivada.
3. Check to make sure the dip switches from the transmitter and receiver are set to the same frequency.

El ventilador hace mucho ruido.

1. Asegurarse de que todos los tornillos de la cubierta del motor estén ajustados.
2. Asegurarse de que los tornillos que sujetan el soporte de aspas del ventilador al eje del motor estén apretados.
3. Asegurarse de que las conexiones de tuercas para cable no estén rozando unas contra otras o contra la pared interior de la cubierta protectora del interruptor.  
**PRECAUCIÓN:** Asegurarse de que la fuente principal de electricidad esté desactivada.
4. Permitir un período de "desgaste" de 24 horas. La mayoría de los ruidos asociados con un ventilador nuevo desaparecen durante este tiempo.
5. Si se está usando un juego opcional de iluminación para el ventilador de techo, asegurarse de que los tornillos que aseguran el vidrio estén apretados. Asimismo, verificar que la bombilla esté segura.
6. Algunos motores son sensibles a las señales provenientes de controles de velocidad variable de estado sólido. Si tiene instalado este tipo de control, elegir e instalar otro tipo.
7. Asegurarse de que el escudete superior esté a una corta distancia del techo. No debe hacer contacto con el techo.

Fallo del mando a distancia

1. Compruebe la carga de la batería en el mando a distancia.
2. No conecte el ventilador con un control en la pared de velocidad variable (s)
3. Asegúrese de que los conmutadores de código están ajustados correctamente en el control remoto y en el control de pared, y el proceso de aprendizaje es completar.

# *11. Resolución de problemas*

Tamaño del Ventilador	Velocidad	Voltios	Amperios	Vatios	RPM	CFM	N.W.	G.W.	C.F.
<b>60"</b> <b>(152 cm)</b>	Baja	120	0.28	15	44	2116	28.16 lbs	31.35 lbs	2.62'
	Alta	120	0.66	79	114	5717			

Estas son mediciones aproximadas. No incluyen los Amperios y vatios usado por el juego de eliminación.

Este equipo cumple con lo establecido en la Parte 15 de la Normativa FCC. Su funcionamiento está sujeto a las dos condiciones siguientes: (1) Este equipo no causará interferencias perjudiciales y (2) este equipo tolerará cualquier interferencia recibida, incluidas las interferencias que puedan provocar un funcionamiento no deseado.

**Advertencia:** los cambios o modificaciones en esta unidad no aprobados expresamente por la parte responsable del cumplimiento podrían anular la autoridad del usuario para utilizar el equipo.

**NOTA:** este equipo ha sido probado y cumple con los límites establecidos para dispositivos digitales de clase B, según el apartado 15 de las Normas de la FCC. Dichos límites han sido definidos para proporcionar una protección razonable frente a interferencias perjudiciales en una instalación residencial. Este equipo genera, utiliza y puede desprender energía de radiofrecuencia y, si no se instala y se utiliza según las instrucciones, puede causar interferencias dañinas a la radiocomunicación.

Sin embargo, no es posible garantizar que el equipo no provoque interferencias en una instalación particular. Si este equipo provoca interferencias perjudiciales a la recepción de radio o televisión, lo que puede determinarse encendiéndolo y apagándolo, es recomendable intentar corregir dichas interferencias mediante una o varias de las siguientes medidas:

- Vuelva a orientar o cambie de lugar la antena receptora.
- Aumente la separación entre el equipo y el receptor.
- Conecte el equipo en una toma de corriente en un circuito diferente al que el receptor está conectado.
- Consulte con el distribuidor o con un técnico especialista en radio/televisión para más ayuda.

©2020 Progress Lighting, Inc.  
701 Millennium Blvd.,  
Greenville, SC 29607  
All Rights Reserved

*Especificaciones 12.*